

2.5 MHz, Fixed-Output Synchronous Boost Regulator

General Description

The ETQ8215 is a low-power boost regulator. Even at minimum system battery voltage, the device maintains the output voltage regulation for a minimum output load current of 1A. The combination of built-in power transistors, synchronous rectification, and low supply current suit the ETQ8215 for battery-powered applications.

The ETQ8215 is available in package of WLCSP9 and operates over an ambient temperature range of -40°C to +125°C.

Features

- Fixed Output Voltages: 5.0V
- $I_{OUT} \geq 1A$ at $V_{OUT} = 5.0V$, $V_{IN} \geq 2.7V$
- Automatic Pass-Through Operation when $V_{IN} > V_{OUT}$
- Internal Synchronous Rectification
- Soft-Start with True Load Disconnect
- Short-Circuit Protection
- Only need Three External Components
- Automotive AEC-Q100 Grade 1 Qualified: Ambient temperature range of -40°C to +125°C
- Part No. and Package

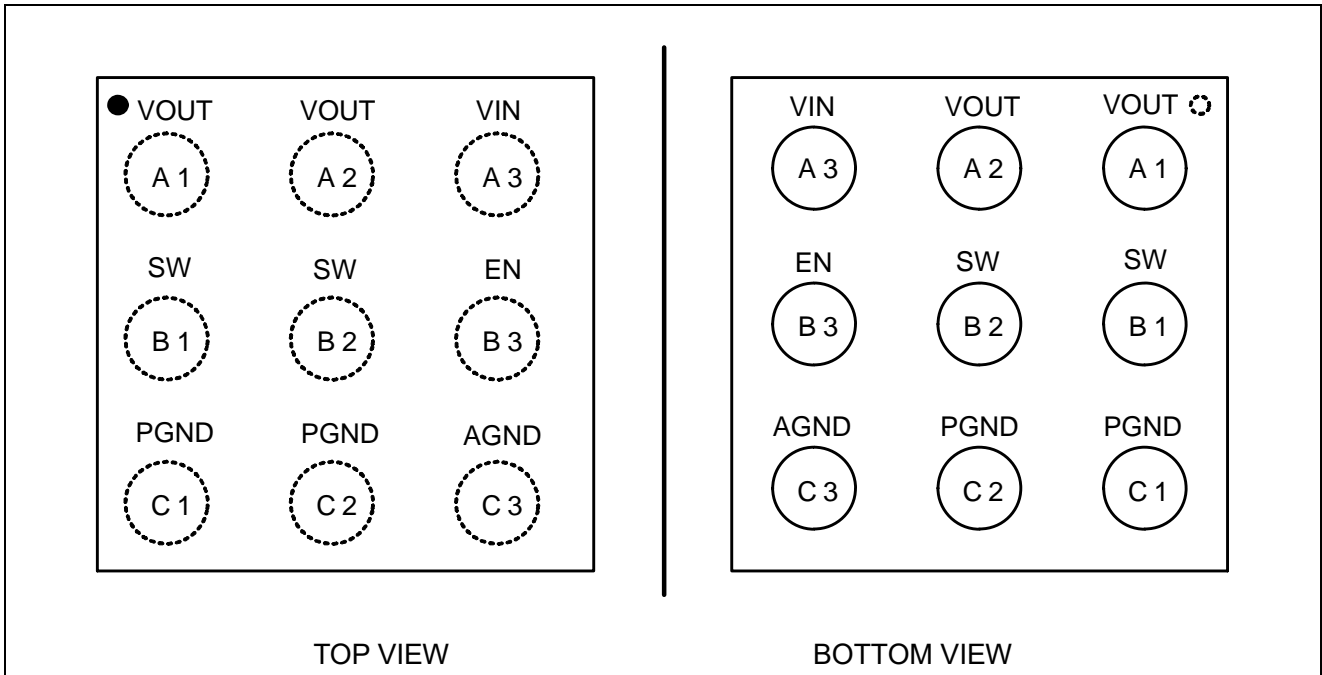
Part No.	Package	MSL	Packing Option
ETQ8215	WLCSP9 (1.22mm x 1.22mm, 0.4mm pitch)	1	Tape and Reel, 3K/Reel

Application

- USB OTG Supply
- Automotive Boost for Low-Voltage Applications
- Power supply of Automotive Digital Cameras

ETQ8215

Pin Configuration

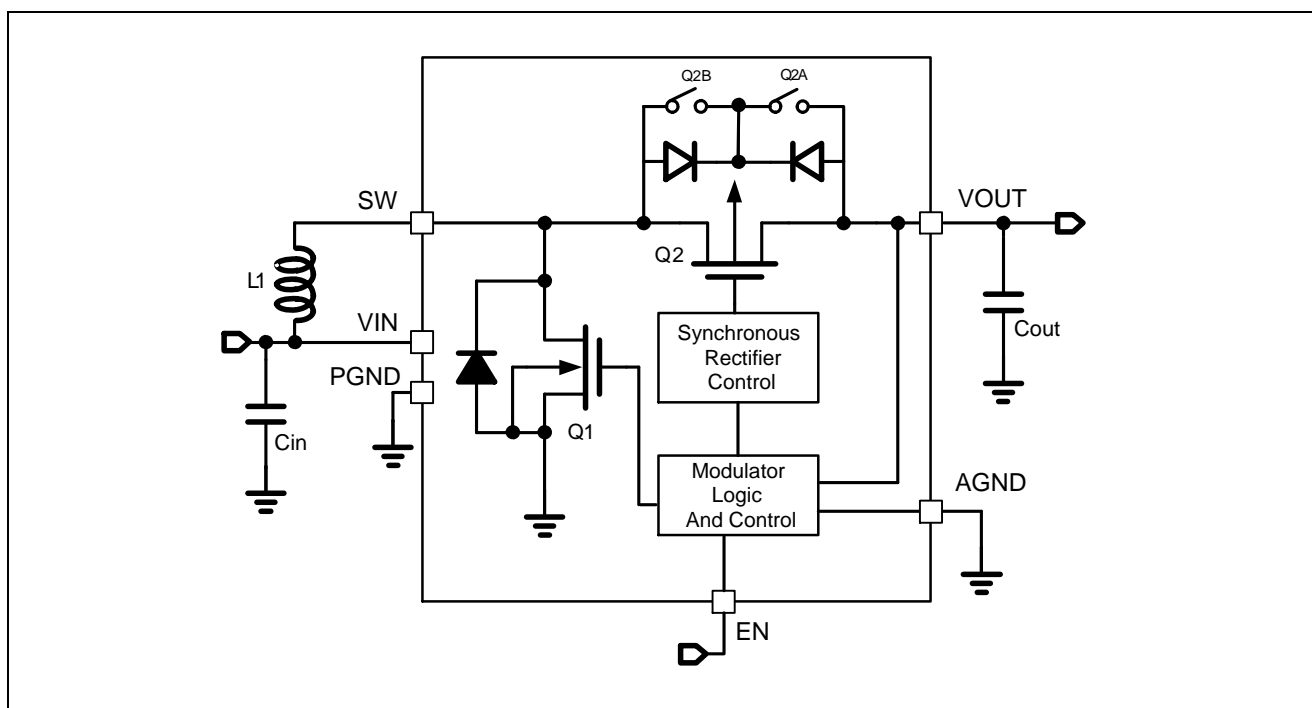


Pin Function

Pin No.	Pin Name	Description
A1,A2	VOUT	Output Voltage. This pin is the output voltage terminal; connect directly to C_{OUT} .
A3	VIN	Input Voltage. Connect to Li-Ion battery input power source; connect directly to C_{IN} .
B1,B2	SW	Switching Node. Connect to inductor.
B3	EN	Enable. When this pin is HIGH, the circuit is enabled.
C1,C2	PGND	Power Ground. This is the power return for the IC. C_{OUT} capacitor should be returned with the shortest path possible to these pins.
C3	AGND	Analog Ground. This is the signal ground reference for the IC. All voltage levels are measured with respect to this pin-connect to PGND at a single point.

ETQ8215

Block Diagram



Functional Description

Circuit Description

ETQ8215 is a synchronous boost regulator, typically operating at 2.5MHz in Continuous Conduction Mode (CCM), which occurs at moderate to heavy load current and low V_{IN} voltages. The regulator's pass-Through Mode automatically activates when V_{IN} is above the boost regulator's set point.

Operating Modes

Mode	Description	Invoked When:
LIN	Linear Startup	$V_{IN} > V_{OUT}$
SS	Boost Soft-Start	$V_{IN} < V_{OUT} < V_{OUT(TARGET)}$
BST	Boost Operating Mode	$V_{OUT} = V_{OUT(TARGET)}$
PT	Pass-Through Mode	$V_{IN} > V_{OUT(TARGET)}$

Boost Mode Regulation

The ETQ8215 uses a current-mode modulator to achieve excellent transient response and smooth transitions between CCM and DCM operation. During CCM operation, the device maintains a switching frequency of about 2.5MHz. In light-load operation (DCM), frequency is naturally reduced to maintain high efficiency.

Shutdown and Startup

When $V_{IN} > V_{UVLO}$, EN voltage drop below V_{IL} , all bias circuits are off and the regulator is in Shutdown Mode. During shutdown, Current flow is prevented from VIN to VOUT, as well as reverse flow from VOUT to VIN. When $V_{IN} > V_{UVLO}$, EN voltage rise above V_{IH} , the IC will Re-start. It is recommended to keep load current draw below 500mA until the devices successfully executes startup. The following table describes the startup sequence.

ETQ8215

Boost Startup Sequence

Start Mode	Entry	Exit	End Mode	Timeout(us)
LIN1	$V_{IN} > V_{UVLO}$, $V_{IH} < V_{EN} \leq V_{IN}$	$V_{OUT} > V_{IN} - 300 \text{ mV}$	SS	
		TIMEOUT	LIN2	512
LIN2	LIN1 Exit	$V_{OUT} > V_{IN} - 300 \text{ mV}$	SS	
		TIMEOUT	FAULT	1024
SS	LIN1 or LIN2 Exit	$V_{OUT} = V_{OUT(TARGET)}$	BST	
		OVERLOAD TIMEOUT	FAULT	64

LIN Mode

When $V_{IN} > V_{UVLO}$, EN voltage rise above V_{IH} , the regulator first attempts to bring V_{OUT} within 300mV of V_{IN} by using the internal fixed-current source from VIN(Q2). The current is limited to the LIN1 set point.

If V_{OUT} reaches $V_{IN} - 300\text{mV}$ during LIN1 Mode, the SS Mode is initiated. Otherwise, LIN1 times out after 512us and LIN2 Mode are entered.

In LIN2 Mode, the current source is incremented to about 1.7A. If V_{OUT} fails to reach $V_{IN} - 300\text{mV}$ after 1024us, a fault condition is declared and the device waits 20ms to attempt an automatic restart.

Soft-Start (SS) Mode

Upon the successful completion of LIN Mode ($V_{OUT} \geq V_{IN} - 300\text{mV}$), the regulator begins switching with boost pulses current limited to 50% of nominal level.

During SS Mode, if V_{OUT} fails to reach regulation during the SS ramp sequence for more than 64us, a fault is declared. If large C_{OUT} is used, the reference is automatically stepped slower to avoid excessive input current draw.

Boost (BST) Mode

This is a normal operating mode of the regulator.

Pass-Through (PT) Mode

In normal operation, the device automatically transitions from Boost Mode to Pass-Through Mode if V_{IN} goes above the target V_{OUT} . In Pass-Through Mode, the device fully enhances Q2 to provide a very low impedance path from V_{IN} to V_{OUT} . Entry to the Pass-Through Mode is triggered by condition where $V_{IN} > V_{OUT}$ and no switching has occurred during the past 5us. To soften the entry into Pass-Through Mode, Q2 is driven as a linear current source for the first 5us. Pass-Through Mode exit is triggered when V_{OUT} reaches the target V_{OUT} voltage. During Automatic Pass-Through Mode, the device is short circuit protected by a voltage comparator tracking the voltage drop from V_{IN} to V_{OUT} , if the drop exceeds 300mV, a fault is declared.

ETQ8215

Fault State

The regulator enters Fault State under any of the following conditions:

- V_{OUT} fails to achieve the voltage required to advance from LIN Mode to SS Mode.
- V_{OUT} fails to achieve the voltage required to advance from SS Mode to BST Mode.
- Boost current limit triggers for 2ms during BST Mode.
- $V_{IN} - V_{OUT} > 300\text{mV}$, this fault can occur only after successful completion of the soft-start sequence.
- $V_{IN} < V_{UVLO}$.

Once a fault is triggered, the regulator stops switching and presents a high-impedance path between V_{IN} and V_{OUT} . After waiting 20ms, an automatic restart is attempted.

Over-Temperature

The regulator shuts down if the die temperature exceeds 150°C . Restart occurs when the IC has cooled by approximately 30°C .

Application Information

Output Capacitance (C_{OUT})

The effective capacitance (C_{EFF} ⁽¹⁾) of small, high-value ceramic capacitors decreases as their bias voltage increases. ETQ8215 is guaranteed for stable operation with the minimum value of C_{EFF} ($C_{EFF(MIN)}$) outlined in below table.

Minimum C_{EFF} Required for Stability

Operating Conditions			$C_{EFF(MIN)}$ (uF)
$V_{OUT}(V)$	$V_{IN}(V)$	I_{LOAD} (mA)	
5.0	2.7 to 4.8	0 to 1000	3

Note:

1. C_{EFF} varies by manufacturer, capacitor material, and case size.

Startup

Input current limiting is in effect during soft-start, which limits the current available to charge C_{OUT} and any additional capacitance on the V_{OUT} line. If the output fails to achieve regulation within the limits described in the Soft-Start section above, a fault occurs, causing the circuit to shut down. It waits about 20ms before attempting a restart. If the total combined output capacitance is very high, the circuit may not start on the first attempt, but eventually achieves regulation if no load is present. If a high current load and high capacitance are both present during Soft-Start, the circuit may fail to achieve regulation and continually attempt Soft-Start, only to have the output capacitance discharged by the load when in Fault State.

Output Voltage Ripple

Output voltage ripple is inversely proportional to C_{OUT} . During t_{ON} , when the boost switch is on, all load current is supplied by C_{OUT} .

$$V_{\text{ripple(p-p)}} = t_{ON} \times \frac{I_{LOAD}}{C_{OUT}} \quad \text{EQ1}$$

ETQ8215

And

$$t_{ON} = t_{SW} \times D = t_{SW} \times \left(1 - \frac{V_{IN}}{V_{OUT}}\right) \quad \text{EQ2}$$

Therefore

$$V_{\text{ripple(p-p)}} = t_{SW} \times \left(1 - \frac{V_{IN}}{V_{OUT}}\right) \times \frac{I_{LOAD}}{C_{OUT}} \quad \text{EQ3}$$

$$t_{SW} = \frac{1}{f_{SW}} \quad \text{EQ4}$$

The maximum V_{RIPPLE} OCCURS when V_{IN} is minimum and I_{LOAD} is maximum. For better ripple performance, more output capacitance can be added.

ETQ8215

Absolute Maximum Ratings

Stresses exceeding the absolute maximum ratings may damage the device. The device may not function or be operable above the recommended operating conditions and stressing the parts to these levels is not recommended. In addition, extended exposure to stresses above the recommended operating conditions may affect device reliability. The absolute maximum ratings are stress ratings only.

Symbol	Parameter	Min	Max	Unit
V _{IN}	Voltage on VIN Pin	-0.3	6.0	V
V _{OUT}	Voltage on VOUT Pin		6.0	V
V _{SW}	SW Node Voltage	DC	-0.3	6.0
		Transient: 10ns, 3MHz	-0.3	8.0
V _{EN}	Voltage on EN Pin	-0.3	V _{IN} +0.3	V
V _{ESD}	Electrostatic Discharge Protection Level	Human Body Model (AEC-Q100-002)	±4.0	
		Charged Device Model (AEC-Q100-011)	±1.5	
T _J	Junction Temperature Range	-40	+150	°C
T _{STG}	Storage Temperature Range	-65	+150	°C

Recommended Operating Conditions

The Recommended Operating Conditions table defines the conditions for actual device operation. ETEK does not recommend exceeding them or designing to absolute maximum ratings.

Symbol	Parameter	Min	Max	Unit
V _{IN}	Supply Voltage	2.7	4.8	V
I _{OUT}	Maximum Output Current	1000		mA
T _A	Ambient Temperature Range	-40	+125	°C

Thermal Properties

Junction-to-ambient thermal resistance is a function of application and board layout. Special attention must be paid not to exceed junction temperature (T_{J(max)}), at a given ambient temperature (T_A).

Symbol	Parameter	Typical	Unit
θ _{JA}	Junction-to-Ambient Thermal Resistance	50	°C/W

ETQ8215

Electrical Characteristics

Recommended operating conditions, unless otherwise noted, circuit per typical application, $V_{OUT}=5.0V$, $V_{IN}=2.7V$ to $4.8V$, $T_A=-40^{\circ}C$ to $85^{\circ}C$. Typical values are given $V_{IN}=3.6V$ and $T_A=25^{\circ}C$.

Symbol	Parameter	Conditions	Min	Typ	Max	Unit
Power Supply						
V_{IN}	Input Voltage Range ⁽¹⁾		2.7		4.8	V
I_Q	V_{IN} Quiescent Current	$V_{IN}=3.6V, I_{OUT}=0, EN=V_{IN}$		75	125	μA
		Shutdown: $EN=0, V_{IN}=3.6V$			5	
V_{UVLO}	Under-Voltage Lockout	V_{IN} Rising		2.1	2.3	V
V_{UVLO_HYS}	Under-Voltage Lockout Hysteresis			150		mV
Inputs						
V_{IH}	Enable HIGH Voltage		1.05			V
V_{IL}	Enable LOW Voltage				0.4	V
I_{PD}	Current Sink Pull-Down	EN Pin, Logic HIGH		100		nA
R_{LOW}	Low-State Active Pull-Down	EN Pin, Logic LOW	300	400	500	k Ω
Outputs						
V_{REG}	Output Voltage Accuracy DC ⁽²⁾	Referred to V_{OUT}	-2		3	%
I_{LK_OUT}	V_{IN} -to- V_{OUT} Leakage Current	$V_{OUT}=0, EN=0, V_{IN}=4.2V$			1	μA
I_{LK}	V_{OUT} -to- V_{IN} Reverse Leakage Current	$V_{OUT}=5.0V, EN=0, V_{IN}=2.5V$			3.5	μA
V_{TRST}	Output Voltage Accuracy Transient ⁽³⁾	Referred to V_{OUT} , 50-500mA Load Step	-5		5	%
Timing						
f_{SW}	Switching Frequency	$V_{IN}=3.6V, V_{OUT}=5.0V$, Load=1000mA	2	2.5	3	MHz
t_{SS}	Soft-Start EN HIGH to Regulation ⁽³⁾	50 Ω Load, $V_{OUT}=5.0V$		600		μs
t_{RST}	FAULT Restart Timer ⁽³⁾			20		ms
Power Stage						
$R_{DS(ON)N}$	N-Channel Boost O-Switch $R_{DS(ON)}$	$V_{IN}=3.6V, V_{OUT}=5.0V$		80	130	m Ω
$R_{DS(ON)P}$	P-Channel Sync. Q-Rectifier $R_{DS(ON)}$	$V_{IN}=3.6V, V_{OUT}=5.0V$		90	115	m Ω
I_{V_LIM}	Boost Peak Current Limit	$V_{OUT}=5.0V$		3		A
$I_{V_LIM_SS}$	Boost Soft-Start Valley Current Limit	$V_{IN}<V_{OUT}<V_{OUT_TARGET}$, SS Mode		1.7		A
V_{MIN_1A}	Min V_{IN} for 1000mA Load ⁽³⁾	$V_{OUT}=5.0V$		2.7		V
T_{SHDN}	Over-Temperature Protection(OTP) ⁽³⁾			150		$^{\circ}C$
T_{HYS}	OTP Hysteresis ⁽³⁾			30		$^{\circ}C$

ETQ8215

Notes:

1. The device can be operable when V_{IN} above 2.5V, but its load capacity has been reduced.
2. DC I_{LOAD} from 0 to 1A. V_{OUT} measured from mid-point of output voltage ripple. Effective capacitance of $C_{OUT} \geq 3\mu F$.
3. Guaranteed by design and characterization; not a FT item.

Typical Characteristics

Unless otherwise specified; $V_{IN}=3.6V, V_{OUT}=5.0V$, unless otherwise noted $T_A=25^\circ C$.

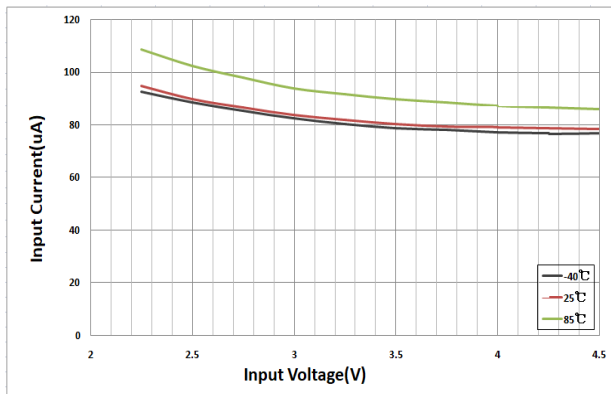


Figure1. I_Q vs V_{IN} and Temperature

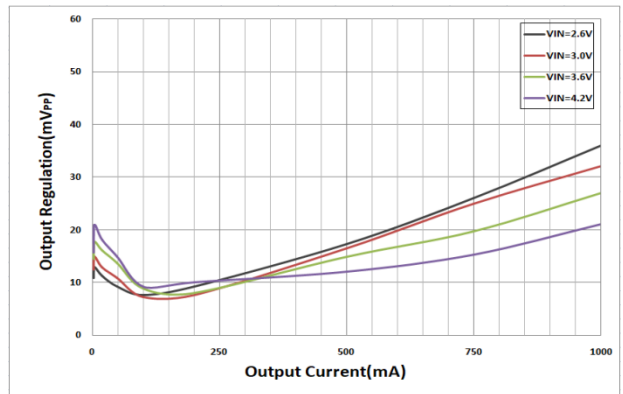


Figure2. Output Ripple vs I_{LOAD} and V_{IN}

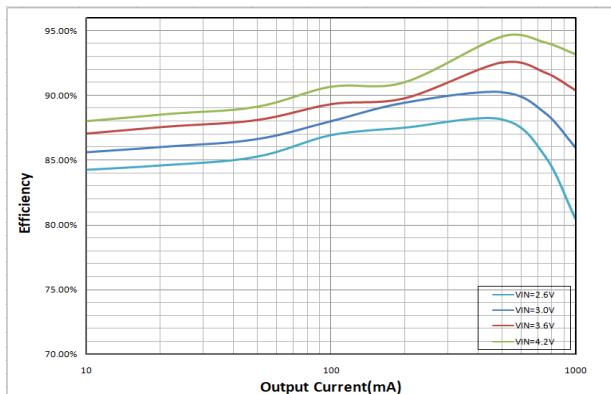


Figure3. Efficiency vs I_{LOAD} and V_{IN}

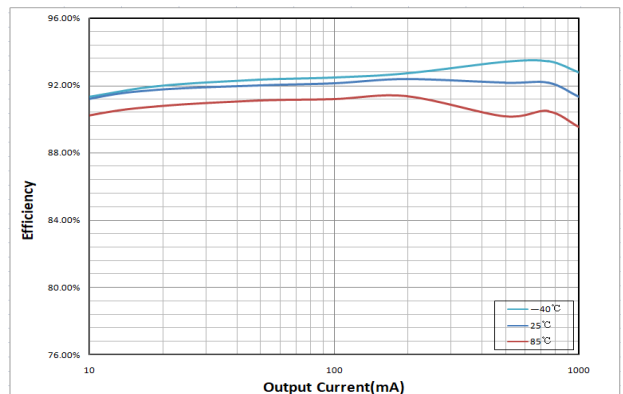


Figure4. Efficiency vs I_{LOAD} and Temperature

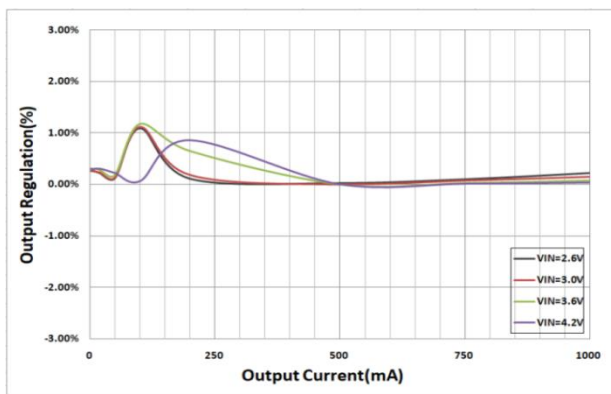


Figure5. Output Regulation vs I_{LOAD} and V_{IN}
(Normalized to 3.6V V_{IN} , 500mA Load)

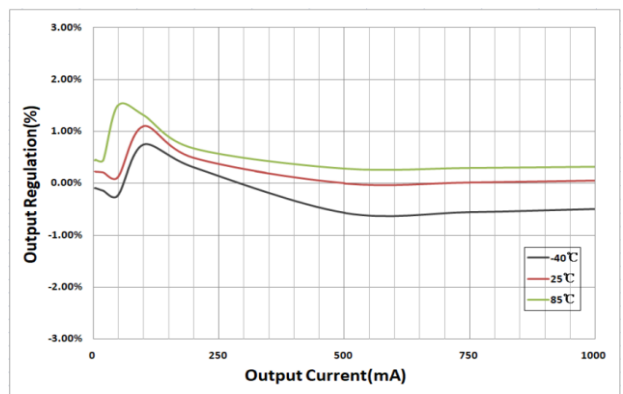
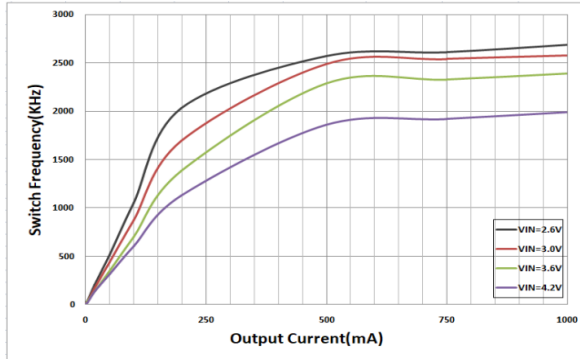


Figure6. Output Regulation vs. Load Current and Temperature
(Normalized to 3.6V V_{IN} , 500mA Load)

ETQ8215

Typical Characteristics (Continued)

Unless otherwise specified; $V_{IN}=3.6V, V_{OUT}=5.0V$, unless otherwise noted $T_A=25^\circ C$.



Figur7. Frequency vs I_{OUT} and V_{IN} ($L=0.47\mu H$)

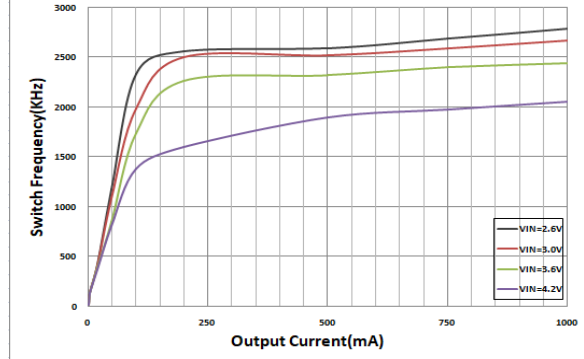


Figure8. Frequency vs I_{OUT} and V_{IN} ($L=1\mu H$)

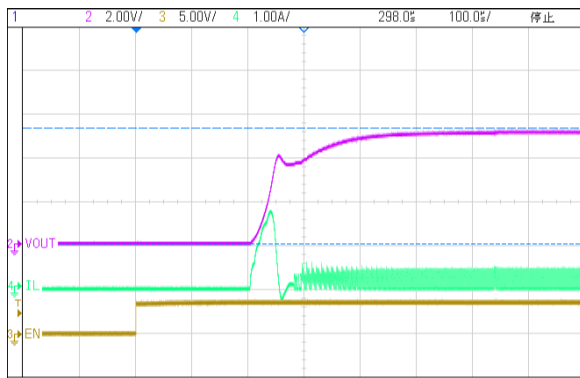


Figure 9. Startup, 50Ω Load

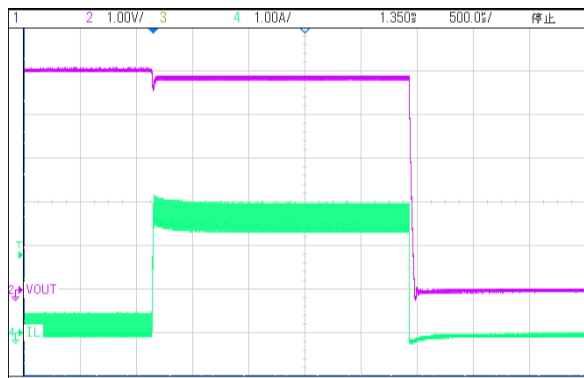


Figure10. Overload Protection

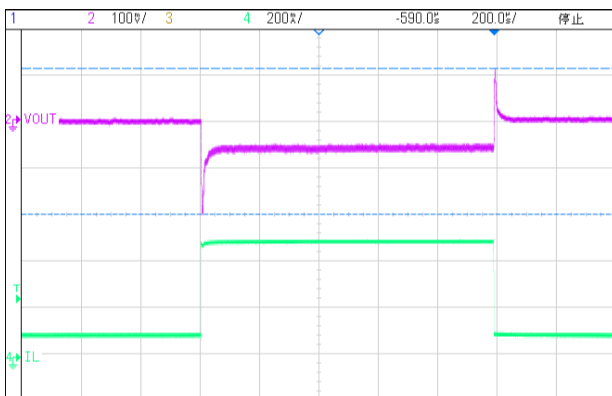


Figure11. Load Transient, 100-500mA

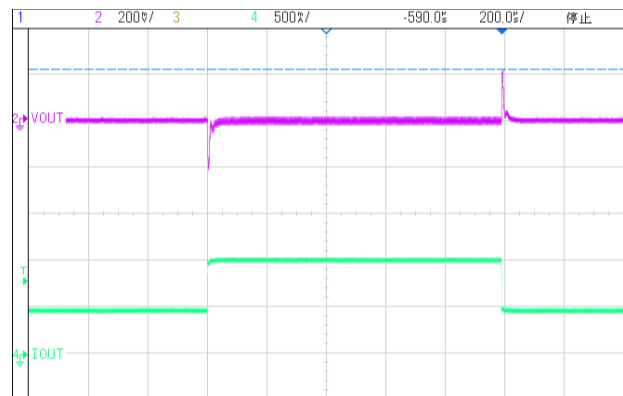


Figure12. Load Transient, 500-1000mA

ETQ8215

Typical Characteristics (Continued)

Unless otherwise specified; $V_{IN}=3.6V$, $V_{OUT}=5.0V$, unless otherwise noted $T_A=25^{\circ}C$.

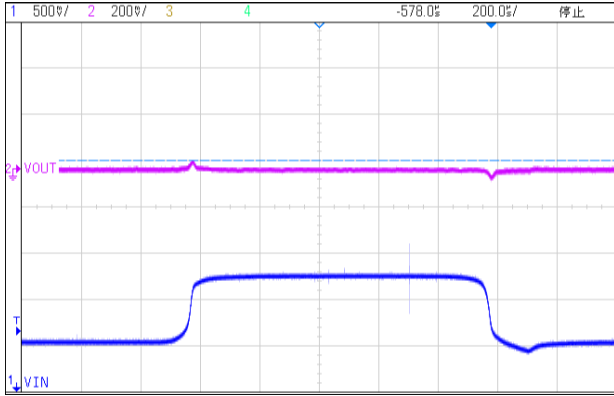


Figure13. Line Transient, 3.3V-3.9V

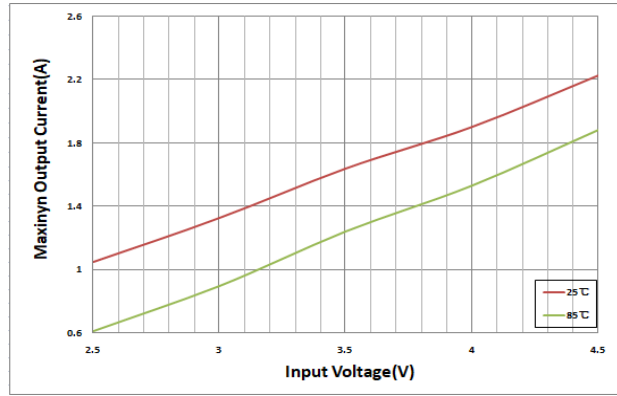
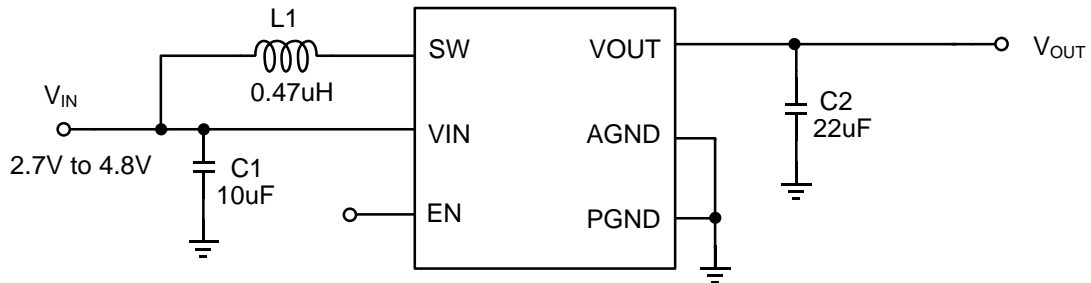


Figure14. Typical Maximum I_{OUT} vs V_{IN} and Temperature

ETQ8215

Application Circuits



Notes:

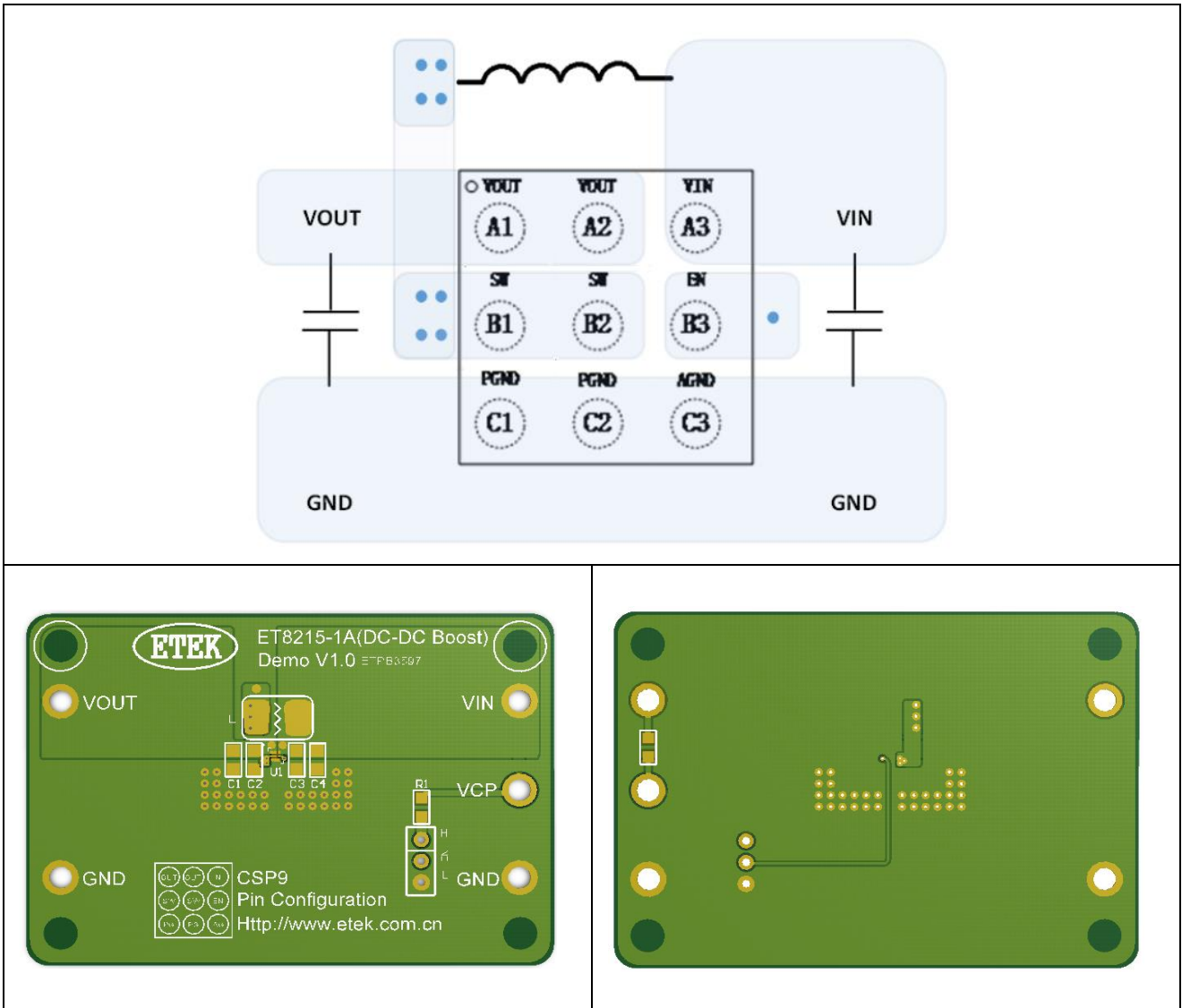
1. Unless EN connect to VIN, VIN should be powered on before EN.
2. This electric circuit only for reference.

Layout Guidelines

1. VIN and GND traces should be as wide as possible to reduce trace impedance. The wide areas are also of advantage from the view point of heat dissipation.
2. The input capacitor and output capacitor should be placed as close to the device as possible to minimize trace impedance.
3. Provide sufficient vias for the input capacitor and output capacitor.
4. Keep the SW trace as physically short and wide as practical to minimize radiated emissions.
5. Do not allow switching current to flow under the device.
6. The GND trace between the output capacitor and the GND pin should be as wide as possible to minimize its trace impedance.

ETQ8215

Layout Example



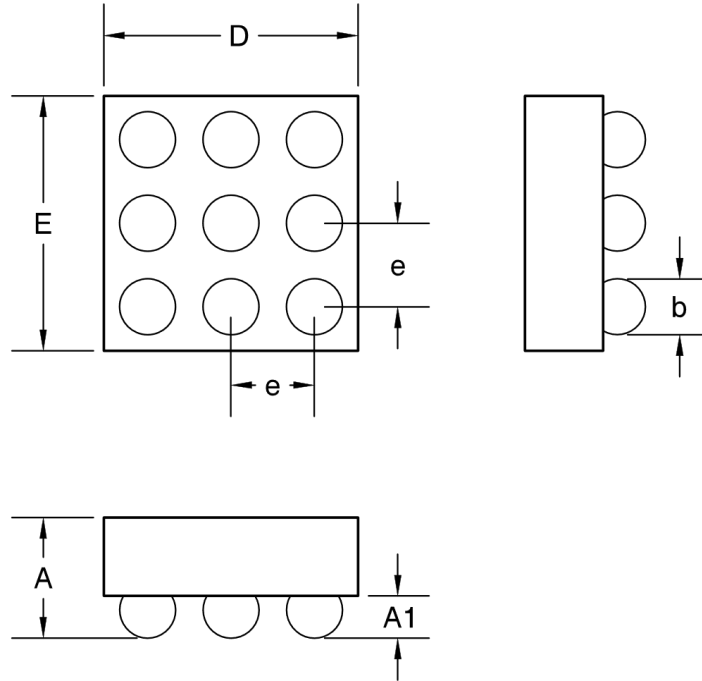
Note:

1. Circuit diagram is for reference only.

ETQ8215

Package Dimension

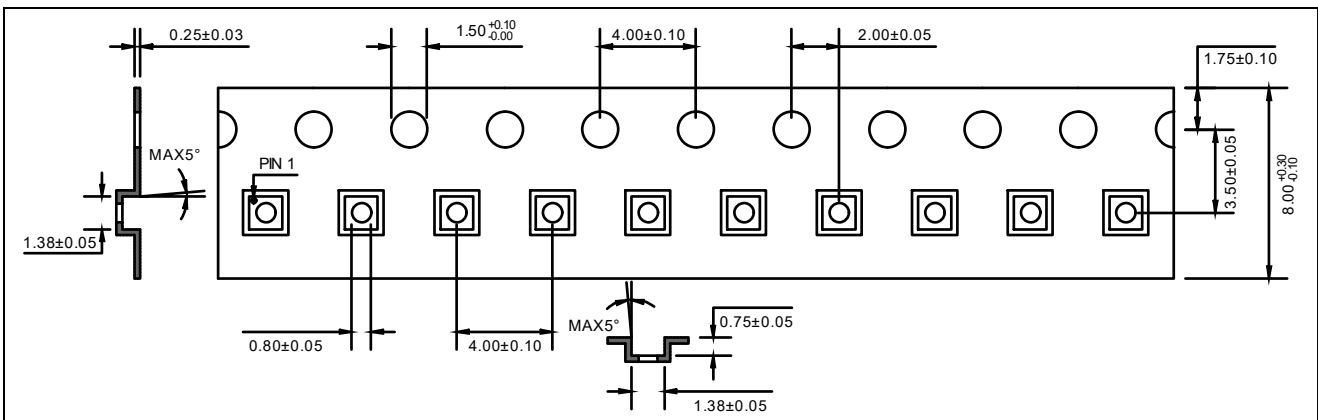
WLCSP9



Dimensions Table (Units:mm)

Symbol	Min	Typ	Max
A	0.527	0.577	0.627
A1	0.177	0.202	0.227
b	0.243	0.268	0.293
D	1.190	1.220	1.250
E	1.190	1.220	1.250
e	0.400 BSC		

Tape



ETQ8215

Revision History and Checking Table

Version	Date	Revision Item	Modifier	Function & Spec Checking	Package & Tape Checking
1.0	2024-07-10	Initial Version	Liuc	Xielh	Liuju
1.1	2024-07-24	Update Layout Guidelines	Liuc	Liuc	Liuju
1.2	2025-12-24	Update AEC-Q100	Liuc	Liuc	Liuju